



**SERIES-PMD**

## **SEAL-LESS MAGNETIC DRIVE CHEMICAL PROCESS PUMPS**

**100% LEAK PROOF PUMPS**

100% LEAK PROOF PUMPS DUE TO MAGNETIC DRIVE ARRANGEMENT. NO SHAFT SEAL USED WHICH AUTOMATICALLY SOLVES PROBLEM OF SEAL LEAKAGE AND WEAR & TEAR. FRICTION FREE OPERATION FOR REDUCED POWER CONSUMPTION. HIGH POWER PERMANENT MAGNETS ENSURE FULL POWER TRANSFER AND ELIMINATES SLIPPAGE. ALL PUMPING PARTS ARE NONMETALLIC, WHICH GIVES SUPERIOR CORROSION RESISTANCE. SIMPLE AND EASY TO OPERATE AND MAINTAIN. LONG LIFE, RELIABLE AND TROUBLE-FREE OPERATION.



IDEAL FOR TRANSFER OF CORROSIVE CHEMICALS, ACIDS, DYES, SOLVENTS, TOXIC & FUMING LIQUIDS, KEROSENE ETC. USEFUL IN CHEMICAL INDUSTRIES, PHARMACEUTICALS AND FOOD PROCESSING INDUSTRIES. ELECTROPLATING, GALVANIZING / ANODIZING PLANTS. LABORATORY EQUIPMENTS AND PCB PLANTS. MEDICAL EQUIPMENTS AND X-RAY FILM PLANTS. TEXTILE DYEING HOUSES. LIQUID DISPENSING MACHINE AND CHEMICAL FILTRATION EQUIPMENTS. FOR HAZARDOUS DUTY CONDITIONS WITH FLAME PROOF MOTORS.

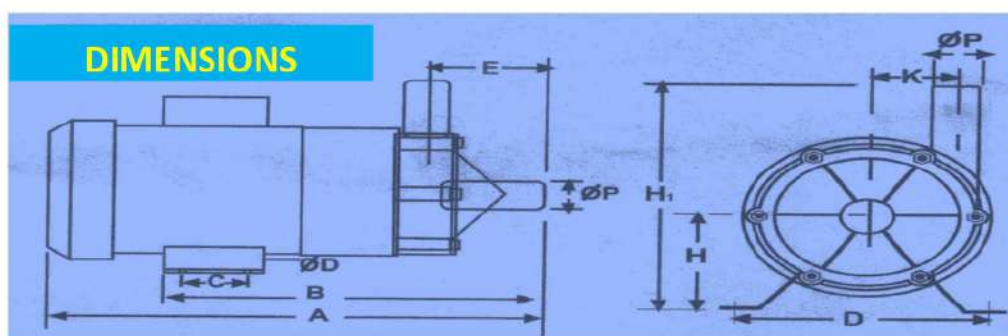
**DEV PUMPS INDIA (AHMEDABAD, INDIA).**



## SPECIFICATIONS

*AT 2900 RPM*

PUMP MODEL	IN / OUT SIZE	MAX. CAPACITY (LPM)	MAX. HEAD (MTRS.)	MOTOR HP	FULL LOAD CURRENT	PHASE	SP. GR. LIMIT	WEIGHT
PMD-15	14 MM	15	2.5	0.10	0.15 AMPS.	SINGLE	1.1	3 KGS.
PMD-30	18 MM	30	4	0.16	0.20 AMPS.	SINGLE	1.1	3.5 KGS.
PMD-50	20 MM	50	5	0.25	0.50 AMPS.	SINGLE	1.2	5 KGS.
PMD-85	26 MM	85	9	0.50	1.00 AMPS.	SINGLE / THREE	1.2	8 KGS.
PMD-125	26 MM	125	12	0.75	1.25 AMPS.	SINGLE / THREE	1.3	10 KGS.
PMD-170	1" BSP	170	14	1.0	1.70 AMPS.	SINGLE / THREE	1.3	12 KGS.
PMD-300	1 ½" X 1 ½"	280	20	1.5	2.40 AMPS.	THREE	1.4	18 KGS.



MODEL	A	B	C	D	E	H	H1	ØP	ØD	K	E
PMD-15	240	145	41	110	125	61	112	14	9	29	41
PMD-30	252	155	41	110	125	61	124	18	9	30	41
PMD-50	292	174	41	110	125	64	139	20	9	35	57
PMD-85	345	230	90	106	135	71	160	26	10	43	64
PMD-125	375	244	100	126	160	80	172	26	10	46	66
PMD-170	380	250	100	126	160	00	172	1"	10	46	50
PMD-300	400	270	100	126	160	85	185	1 ½" x 1 ½"	10	58	57





**SERIES-PMD**

## **WATER RATING CHART**

Pump Model	H.P.	Size (mm)	Head in Meters					
			1	2	4	6	8	10
			Capacity in Litres per Minute (LPM)					
<b>PMD-15</b>	<b>0.125</b>	<b>14x14</b>	<b>10</b>	<b>4</b>				
<b>PMD-30</b>	<b>0.165</b>	<b>18x18</b>	<b>25</b>	<b>15</b>	<b>2</b>			
<b>PMD-50</b>	<b>0.25</b>	<b>20x20</b>	<b>43</b>	<b>30</b>	<b>10</b>			
<b>PMD-85</b>	<b>0.50</b>	<b>25x25</b>	<b>80</b>	<b>70</b>	<b>45</b>	<b>30</b>	<b>15</b>	

Pump Model	H.P.	Size (mm)	Head in Meters							
			2	4	8	12	14	18	20	22
			Capacity in Liters per Minute (LPM)							
<b>PMD-125</b>	<b>0.75</b>	<b>26x26</b>	<b>120</b>	<b>80</b>	<b>50</b>	<b>10</b>				
<b>PMD-170</b>	<b>1.00</b>	<b>1" BSP</b>	<b>150</b>	<b>95</b>	<b>75</b>	<b>40</b>	<b>5</b>			
<b>PMD-300</b>	<b>1.50</b>	<b>1 1/2" x 1 1/2" BSP</b>	<b>285</b>	<b>250</b>	<b>210</b>	<b>180</b>	<b>140</b>	<b>100</b>	<b>50</b> <b>10</b>	

**DEV PUMPS INDIA (AHMEDABAD, INDIA).**



# MATERIAL OF CONSTRUCTION

<u>PART NAME</u>	<u>PP MOC</u>	<u>PVDF MOC</u>	<u>SS-316 MOC</u>
SUCTION CASING & BACK COVER	GF-PP	PVDF	SS-316
IMPELLER	GF-PP	PVDF	SS-316
IMPELLER SHAFT	HIGH ALUMINA CERAMIC	HIGH ALUMINA CERAMIC / HAST ALLOY	SS-316
BUSH	GFT / CFT	GFT / CFT	GFT / SI CARBON
THRUST WASHER	HIGH ALUMINA CERAMIC	HIGH ALUMINA CERAMIC / HAST ALLOY	SS-316
"O" RING	VITON	VITON	VITON
MAGNETS	PERMANENT HIGH POWER	RARE EARTH	
MOUNTING BRACKET	ALUMINIUM	ALUMINIUM	CAST IRON
MOTOR BODY	ALUMINIUM	CAST IRON	CAST IRON

**M**MAGNETIC DRIVE DESIGN ELIMINATES THE CONVENTIONAL METHOD OF SHAFT COUPLING. HENCE THE PUMP CASING IS FULLY SEALED FROM DRIVE, AND WHICH GIVES AWAY THE USE OF CONVENTIONAL SEALING SYSTEM. THERE IS NO SEAL USED AND HENCE NO TROUBLESOME SEAL REPAIRING, AND REPLACEMENT, LEAKAGE AND PRODUCTION LOST. IMPELLER AND DRIVE MAGNETS ARE PERMANENT RARE EARTH MAGNETS. THEY PREVENT SLIPPAGE AND ENSURE THAT FULL MOTOR HORSEPOWER IS CONVERTED INTO PUMPING POWER.

- ❖ ALL PUMPS RATED FOR CONTINUOUS DUTY WITH CLASS E INSULATION.
- ❖ MAXIMUM OPERATING TEMPERATURE – 80 DEG. C FOR PP / 150 DEG. C FOR PVDF & 250 DEG. C FOR SS-316.
- ❖ ALL PUMPS ARE CENTRIFUGAL SEMI-OPEN IMPELLER TYPE PUMPS AND NEED PRIMING BEFORE STARTING UP.
- ❖ SS-316 MAGNETIC PUMPS ARE AVAILABLE UP TO 5 HP.